

Flip-Chips • CSP Integrated Package 倒装芯片 • CSP集成封装 Bicolor CSP Integrated COBs 双色CSP集成COB光源

Main Applications:
主要应用领域:

- ✓ directional projection and beam lighting with small angle for projection, light beam, dyeing, pattern, audience, business, hotel, museum, etc.
小角度方向性投射类照明, 适用于投射, 光束, 染色, 图案, 观众, 商业, 酒店, 博物馆等
- ✓ intelligent color-mixing lighting
智能混色照明
- ✓ over broader CCT range with higher Ra for lighting of high-end business, stage, studio, photography etc.
宽色温范围高显指照明, 适用于高端商业、舞台、影视、摄影等

C1292

Intelligent Bicolor-Color Mixing Lighting 智能双色混光照明

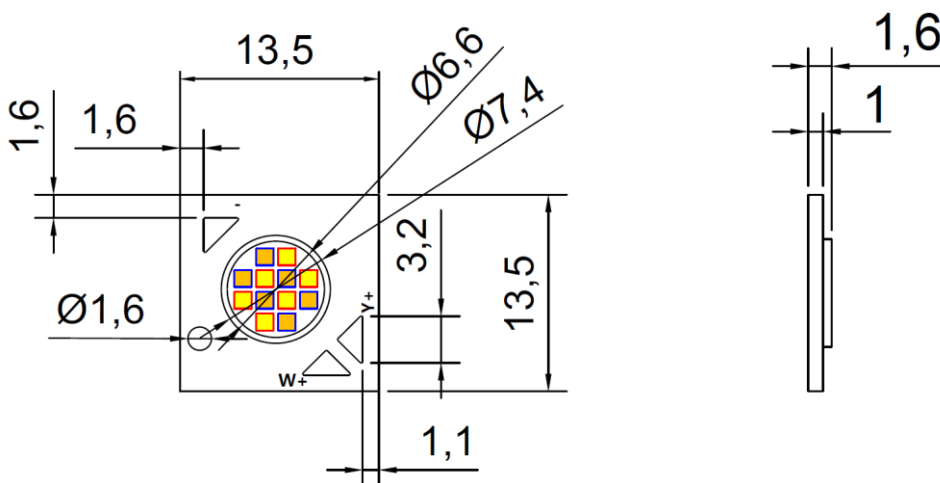


Main Parameters	Typical Values
Voltage (V)	WW 18, CW 18
Current (mA)	WW 350, CW 350
Max. Power (W) ^{Note}	16 in total
LES (mm)	6.5
CCT (K) / Ra	2870-3220 / >95 6020-7040 / >90
Color / Dominant Wavelength (nm)	N/A
Matched Cu Board	N/A

Note: The maximum power only for reference and related to the heat dissipation power of the radiator, the thermal resistance between the radiator and the light source and the ambient temperature.

Main Features

- Low Power Bicolor CSP Integrated COB;
- CSP Integrated Layout for Excellent Color Uniformity;
- Flip Chips with No Gold Wires for High Integration & Good Reliability;
- Customizing Other Power, LES, Color Combination, CCT and Ra;
- Applicable to Directional Intelligent Lighting with Wide CCT Variation at High Ra.



【 Data in table, photos & diagrams for reference only】

C1274

Intelligent Bicolor-Color Mixing Lighting 智能双色混光照明

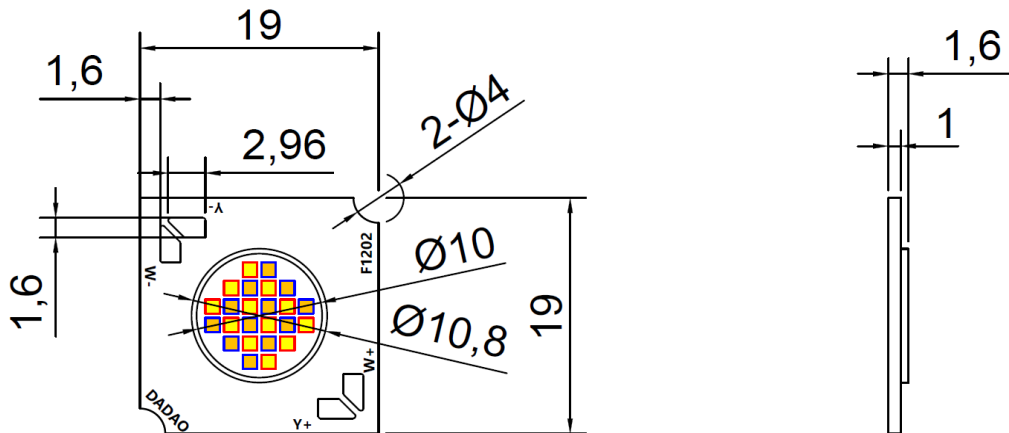


Main Parameters	Typical Values
Voltage (V)	WW 36, CW 36
Current (mA)	WW 350, CW 350
Max. Power (W) ^{Note}	33 in total
LES (mm)	10
CCT (K) / Ra	2870-3220 / >95 6020-7040 / >90
Color / Dominant Wavelength (nm)	N/A
Matched Cu Board	N/A

Note: The maximum power only for reference and related to the heat dissipation power of the radiator, the thermal resistance between the radiator and the light source and the ambient temperature.

Main Features

- Low Power Bicolor CSP Integrated COB;
- CSP Integrated Layout for Excellent Color Uniformity;
- Flip Chips with No Gold Wires for High Integration & Good Reliability;
- Customizing Other Power, LES, Color Combination, CCT and Ra;
- Applicable to Directional Intelligent Lighting with Wide CCT Variation at High Ra.



【 Data in table, photos & diagrams for reference only】

C1258

Intelligent Bicolor-Color Mixing Lighting 智能双色混光照明

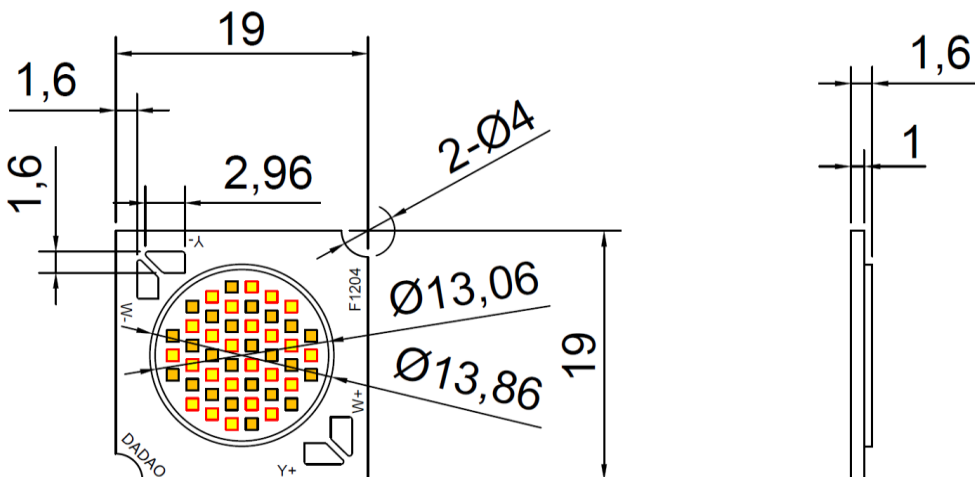


Main Parameters	Typical Values
Voltage (V)	WW 36, CW 36
Current (mA)	WW 700, CW 700
Max. Power (W) ^{Note}	66 in total
LES (mm)	13
CCT (K) / Ra	2870-3220 / >95 6020-7040 / >90
Color / Dominant Wavelength (nm)	N/A
Matched Cu Board	N/A

Note: The maximum power only for reference and related to the heat dissipation power of the radiator, the thermal resistance between the radiator and the light source and the ambient temperature.

Main Features

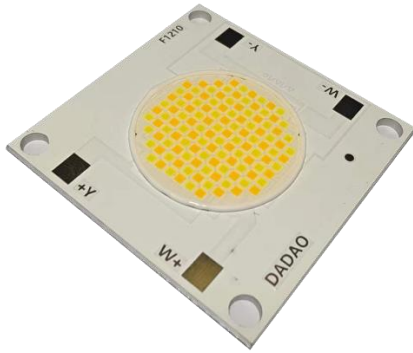
- Middle Power Bicolor CSP Integrated COB;
- CSP Integrated Layout for Excellent Color Uniformity;
- Flip Chips with No Gold Wires for High Integration & Good Reliability;
- Customizing Other Power, LES, Color Combination, CCT and Ra;
- Applicable to Directional Intelligent Lighting with Wide CCT Variation at High Ra.



【 Data in table, photos & diagrams for reference only】

C1273

Intelligent Bicolor-Color Mixing Lighting 智能双色混光照明

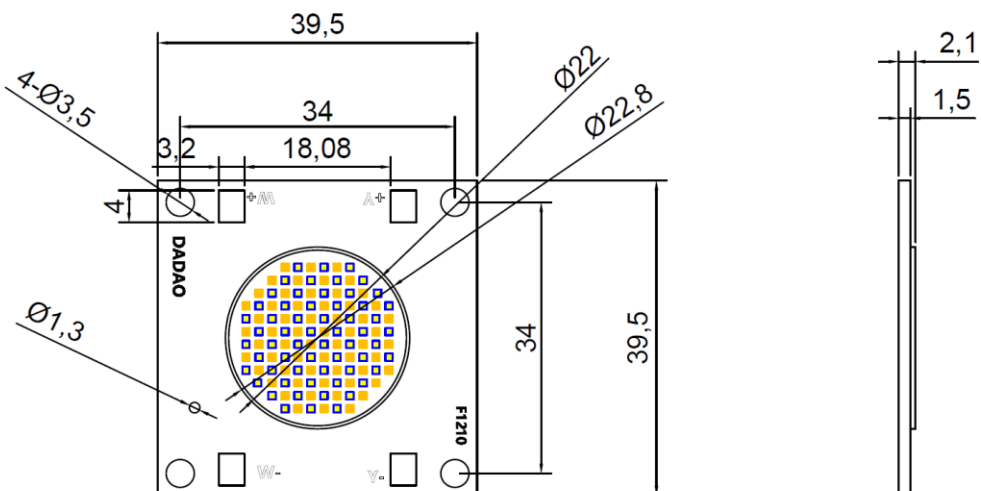


Main Parameters	Typical Values
Voltage (V)	WW 36, CW 36
Current (mA)	WW 1750, CW 1750
Max. Power (W) ^{Note}	164 in total
LES (mm)	22
CCT (K) / Ra	2870-3220 / >95 6020-7040 / >90
Color / Dominant Wavelength (nm)	N/A
Matched Cu Board	N/A

Note: The maximum power only for reference and related to the heat dissipation power of the radiator, the thermal resistance between the radiator and the light source and the ambient temperature.

Main Features

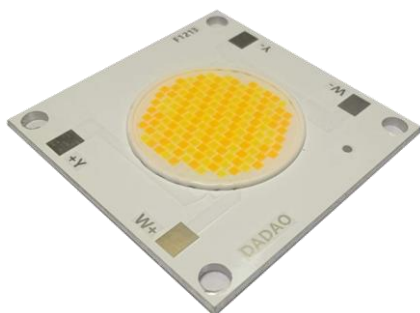
- Middle Power Bicolor CSP Integrated COB ;
- CSP Integrated Layout for Excellent Color Uniformity ;
- Flip Chips with No Gold Wires for High Integration & Good Reliability ;
- Customizing Other Power, LES, Color Combination, CCT and Ra ;
- Applicable to Directional Intelligent Lighting with Wide CCT Variation at High Ra 。



【 Data in table, photos & diagrams for reference only】

C1272

Intelligent Bicolor-Color Mixing Lighting 智能双色混光照明

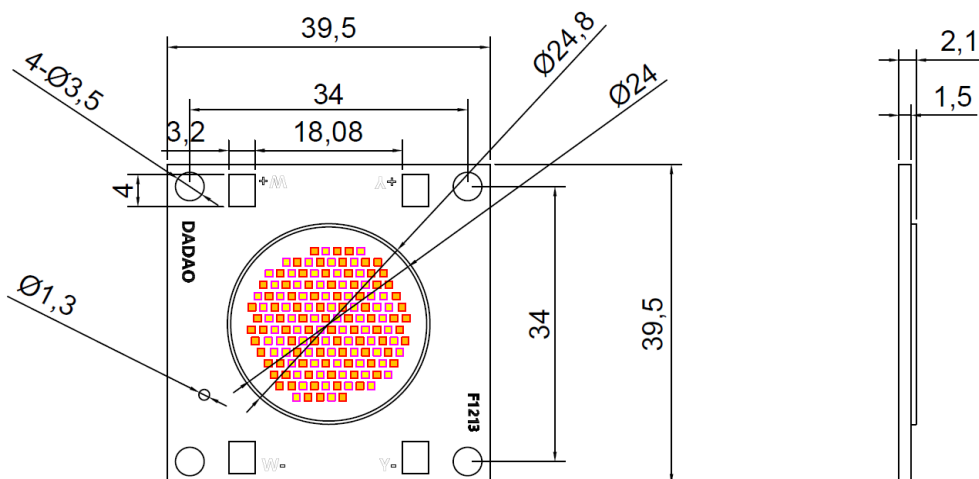


Main Parameters	Typical Values
Voltage (V)	WW 36, CW 36
Current (mA)	WW 2275, CW 2275
Max. Power (W) ^{Note}	213 in total
LES (mm)	24
CCT (K) / Ra	2870-3220 / >95 6020-7040 / >90
Color / Dominant Wavelength (nm)	N/A
Matched Cu Board	N/A

Note: The maximum power only for reference and related to the heat dissipation power of the radiator, the thermal resistance between the radiator and the light source and the ambient temperature.

Main Features

- High Power Bicolor CSP Integrated COB;
- CSP Integrated Layout for Excellent Color Uniformity;
- Flip Chips with No Gold Wires for High Integration & Good Reliability;
- Customizing Other Power, LES, Color Combination, CCT and Ra;
- Applicable to Directional Intelligent Lighting with Wide CCT Variation at High Ra.



【 Data in table, photos & diagrams for reference only】

C1271

Intelligent Bicolor-Color Mixing Lighting 智能双色混光照明

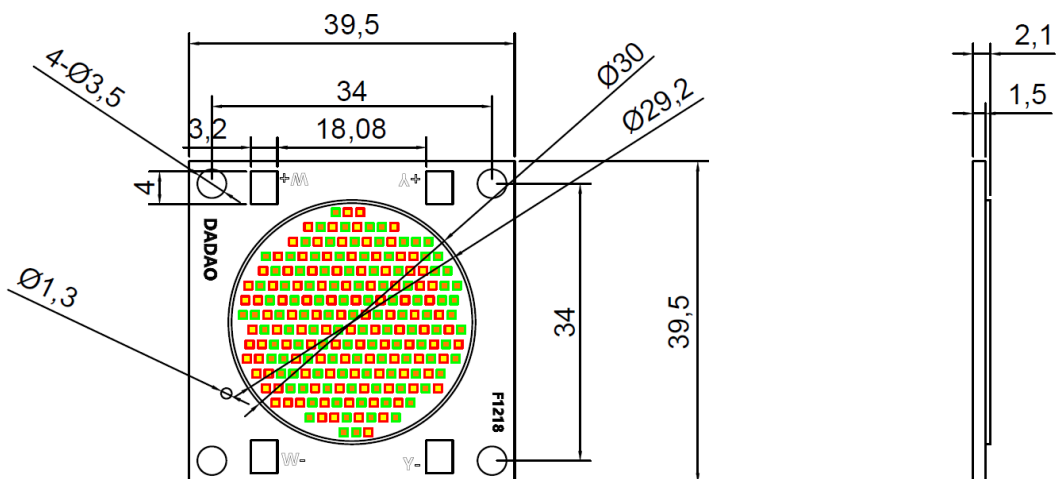


Main Parameters	Typical Values
Voltage (V)	WW 36, CW 36
Current (mA)	WW 3150, CW 3150
Max. Power (W) ^{Note}	295 in total
LES (mm)	29.2
CCT (K) / Ra	2870-3220 / >95 6020-7040 / >90
Color / Dominant Wavelength (nm)	N/A
Matched Cu Board	N/A

Note: The maximum power only for reference and related to the heat dissipation power of the radiator, the thermal resistance between the radiator and the light source and the ambient temperature.

Main Features

- High Power Bicolor CSP Integrated COB;
- CSP Integrated Layout for Excellent Color Uniformity;
- Flip Chips with No Gold Wires for High Integration & Good Reliability;
- Customizing Other Power, LES, Color Combination, CCT and Ra;
- Applicable to Directional Intelligent Lighting with Wide CCT Variation at High Ra.



【 Data in table, photos & diagrams for reference only】