

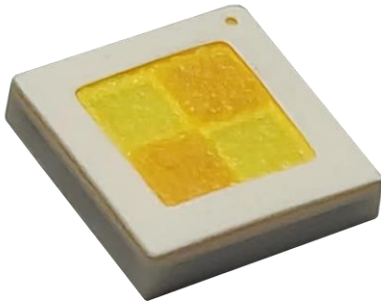
# Flip-Chips • Planar Package 倒装芯片 • 平面封装 Bicolor LEDs 双色光源

Main Applications:  
主要应用领域:

- ✓ directional projection and beam lighting with small angle for projection, light beam, dyeing, pattern, audience, business, hotel, museum, etc.  
小角度方向性投射类照明, 适用于投射, 光束, 染色, 图案, 观众, 商业, 酒店, 博物馆等
- ✓ intelligent color-mixing lighting  
智能混色照明
- ✓ over broader CCT range with higher Ra for lighting of high-end business, stage, studio, photography etc.  
宽色温范围高显指照明, 适用于高端商业、舞台、影视、摄影等
- ✓ medical and micro-instrument lighting  
医疗与显微器械照明

# S1311

## Intelligent Bicolor-Color Mixing Lighting 智能双色混光照明



Main Parameters	Typical Values
Voltage (V)	WW 6, CW 6
Current (mA)	WW 175, CW 175
Max. Power (W) <sup>Note</sup>	2.7 in total
LES (mm)	2.5x2.5
CCT (K) / Ra	2674-2769 / >90 6250-6745 / >90
Color / Dominant Wavelength (nm)	N/A
Matched Cu Board	N/A

Note: The maximum power only for reference and related to the heat dissipation power of the radiator, the thermal resistance between the radiator and the light source and the ambient temperature.

### Main Features

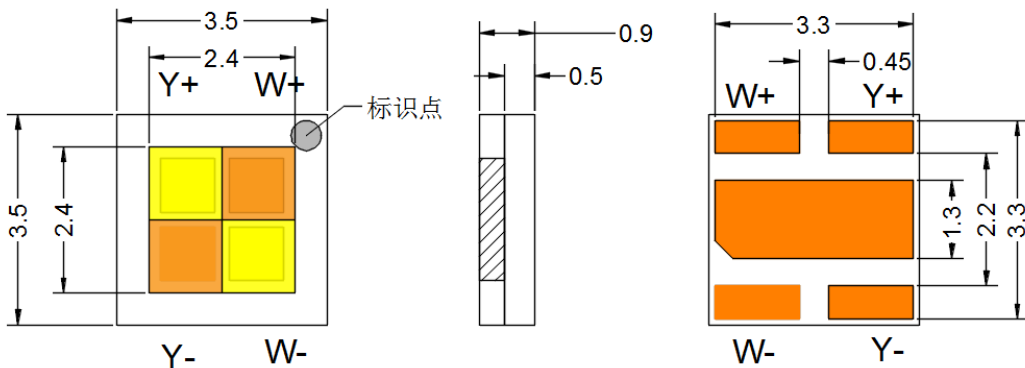
Low Power Bicolor Integrated Lighting Source;

Mosaic Layout for Excellent Color Uniformity;

Planar Package Using Al<sub>2</sub>O<sub>3</sub> Ceramic Substrate for Low Heat Resistance;

Other Power, LES, Color Combination, CCT and Ra Available on Request;

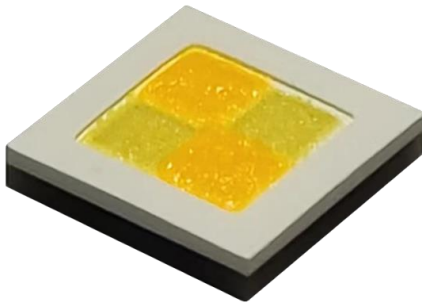
Applicable to Directional Intelligent Lighting with Wide CCT Variation at High Ra.



【 Data in table, photos & diagrams for reference only】

# S1330

## Intelligent Bicolor-Color Mixing Lighting 智能双色混光照明



Main Parameters	Typical Values
Voltage (V)	WW 6, CW 6
Current (mA)	WW 400, CW 400
Max. Power (W) <sup>Note</sup>	5.9 in total
LES (mm)	2.5x2.5
CCT (K) / Ra	2674-2769 / >90 6250-6745 / >90
Color / Dominant Wavelength (nm)	N/A
Matched Cu Board	N/A

Note: The maximum power only for reference and related to the heat dissipation power of the radiator, the thermal resistance between the radiator and the light source and the ambient temperature.

### Main Features

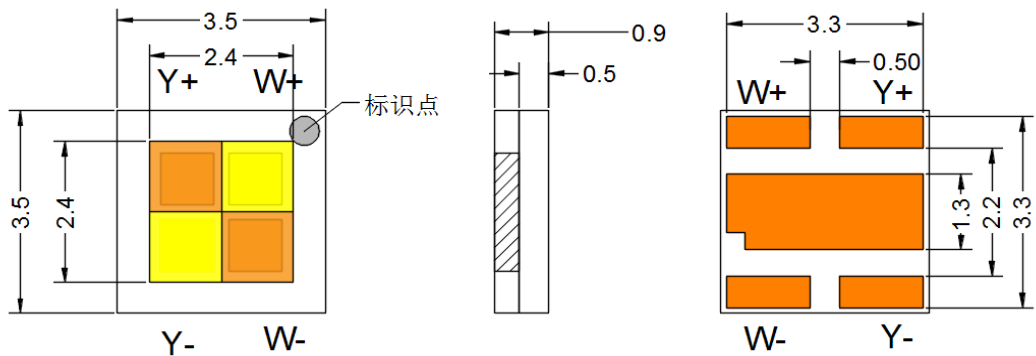
Low Power Bicolor Integrated Lighting Source;

Mosaic Layout for Excellent Color Uniformity;

Planar Package Using AlN Ceramic Substrate for Low Heat Resistance;

Other Power, LES, Color Combination, CCT and Ra Available on Request;

Applicable to Directional Intelligent Lighting with Wide CCT Variation at High Ra.



【 Data in table, photos & diagrams for reference only】