

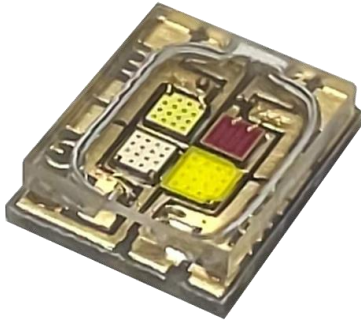
Vertical-Chips • Glass Package 垂直芯片 • 玻璃封装 Multi-Color LEDs 多色光源

Main Applications:
主要应用领域:

- ✓ directional projection and beam lighting with small angle for projection, light beam, dyeing, pattern, audience, business, hotel, museum, etc.
小角度方向性投射类照明, 适用于投射, 光束, 染色, 图案, 观众, 商业, 酒店, 博物馆等
- ✓ intelligent color-mixing lighting
智能混色照明
- ✓ over broader CCT range with higher Ra for lighting of high-end business, stage, studio, photography etc.
宽色温范围高显指照明, 适用于高端商业、舞台、影视、摄影等
- ✓ medical and micro-instrument lighting
医疗与显微器械照明

S1075

Special Stage and Landscape Lighting 特种舞台景观照明

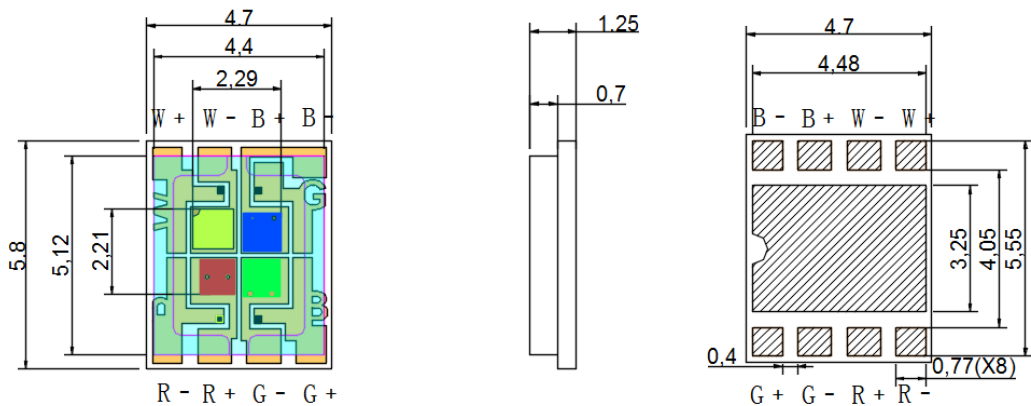


Main Parameters	Typical Values
Voltage (V)	R 2 B 3 G 3 W 3
Current (mA)	R 1175 B 1175 G 1175 W 1175
Max. Power (W) ^{Note}	16.5 in total
LES (mm)	2.2x2.3
CCT (K) / Ra	6000-7000
Color / Dominant Wavelength (nm)	R / 617.5-627.5 G / 520-530 B / 450-460
Matched Cu Board	H016-1818 H055-2833 H035-3037(P8) H042-2837(P5)

Note: The maximum power only for reference and related to the heat dissipation power of the radiator, the thermal resistance between the radiator and the light source and the ambient temperature.

Main Features

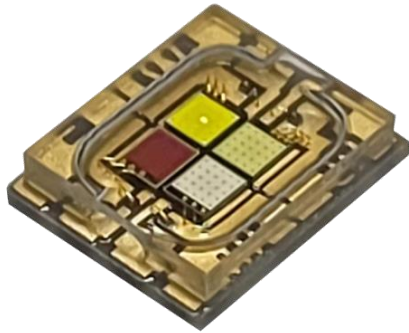
- Low Power Four Color Integrated Lighting Source;
- Glass Package Using AlN Ceramic Substrate for Low Heat Resistance;
- Natural Chip Emitting Colors, High Color Purity and Consistency;
- Other Power, LES, Color Combination, CCT and Ra Available on Request;
- Applicable to Directional Projection of Dye Lighting.



【 Data in table, photos & diagrams for reference only】

S1044

Special Stage and Landscape Lighting 特种舞台景观照明



Main Parameters	Typical Values
Voltage (V)	R 2 B 3 G 3 W 3
Current (mA)	R 1850 B 1850 G 1850 W 1850
Max. Power (W) ^{Note}	26.2 in total
LES (mm)	2.2x2.5
CCT (K) / Ra	6000-7000
Color / Dominant Wavelength (nm)	R / 617.5-627.5 G / 520-530 B / 450-460
Matched Cu Board	H016-1818 H055-2833 H035-3037(P8) H042-2837(P5)

Note: The maximum power only for reference and related to the heat dissipation power of the radiator, the thermal resistance between the radiator and the light source and the ambient temperature.

Main Features

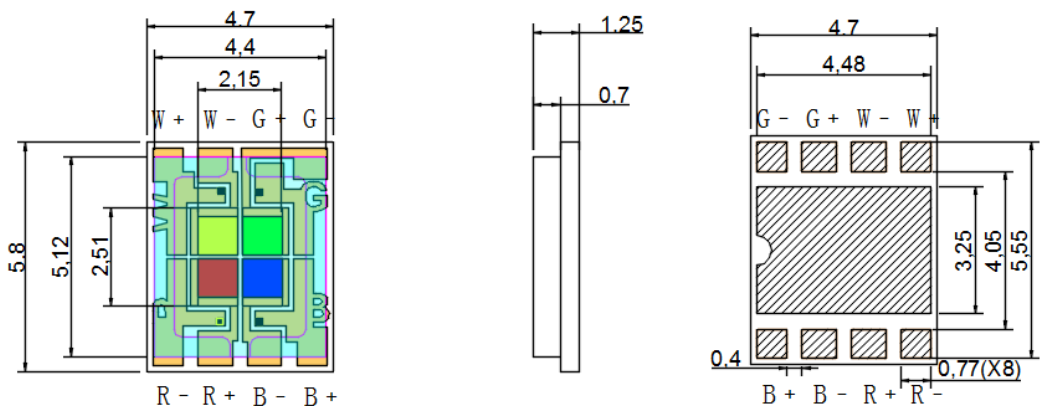
Low Power Four Color Integrated Lighting Source;

Glass Package Using AlN Ceramic Substrate for Low Heat Resistance;

Natural Chip Emitting Colors, High Color Purity and Consistency;

Other Power, LES, Color Combination, CCT and Ra Available on Request;

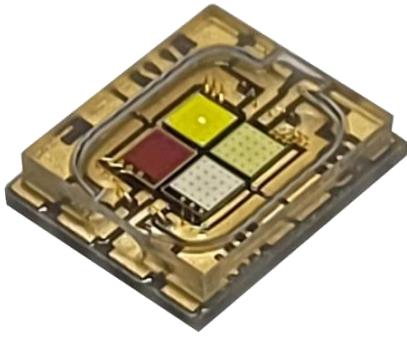
Applicable to Directional Projection of Dye Lighting.



【 Data in table, photos & diagrams for reference only】

S1310

Special Stage and Landscape Lighting 特种舞台景观照明

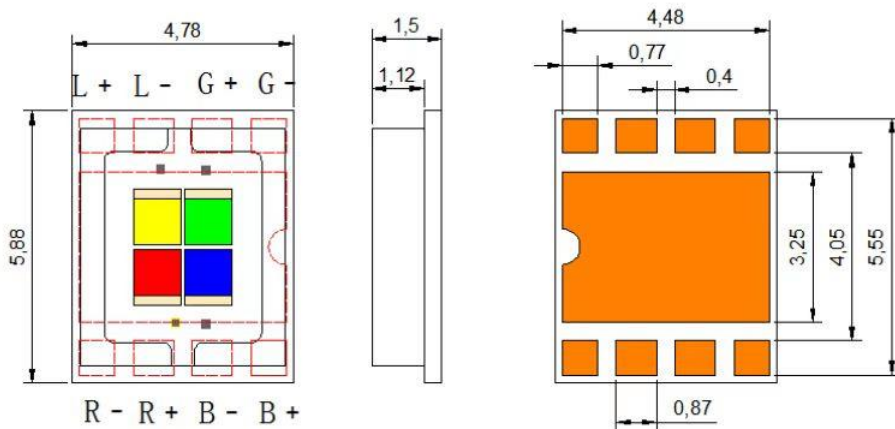


Main Parameters	Typical Values
Voltage (V)	R 2 B 3 G 3 PC-L 3
Current (mA)	R 1850 B 1850 G 1850 PC-L 1450
Max. Power (W) ^{Note}	24.6 in total
LES (mm)	2.2x2.3
CCT (K) / Ra	PC-L / 4150-4400
Color / Dominant Wavelength (nm)	R / 617.5-627.5 G / 520-530 B / 450-460
Matched Cu Board	H016-1818 H055-2833 H035-3037(P8) H042-2837(P5)

Note: The maximum power only for reference and related to the heat dissipation power of the radiator, the thermal resistance between the radiator and the light source and the ambient temperature.

Main Features

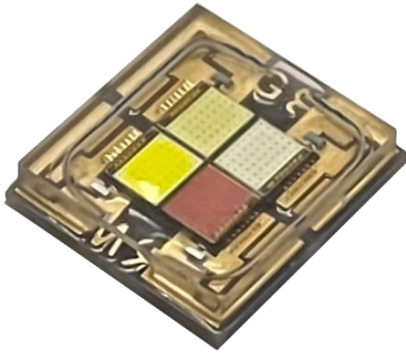
- Low Power Four Color Integrated Lighting Source;
- Glass Package Using AlN Ceramic Substrate for Low Heat Resistance;
- Natural Chip Emitting Colors, High Color Purity and Consistency;
- Other Power, LES, Color Combination, CCT and Ra Available on Request;
- Applicable to Directional Projection of Dye Lighting.



【 Data in table, photos & diagrams for reference only】

S1076

Special Stage and Landscape Lighting 特种舞台景观照明

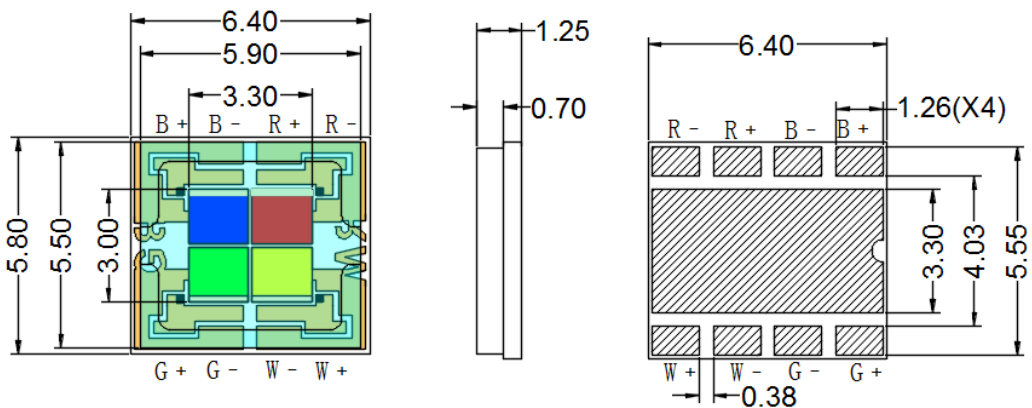


Main Parameters	Typical Values
Voltage (V)	R 2 B 3 G 3 W 3
Current (mA)	R 3575 B 3575 G 3575 W 3575
Max. Power (W) ^{Note}	49.9 in total
LES (mm)	3.0x3.3
CCT (K) / Ra	6000-7000
Color / Dominant Wavelength (nm)	R / 617.5-627.5 G / 520-530 B / 450-460
Matched Cu Board	H017-1818 H046-3737

Note: The maximum power only for reference and related to the heat dissipation power of the radiator, the thermal resistance between the radiator and the light source and the ambient temperature.

Main Features

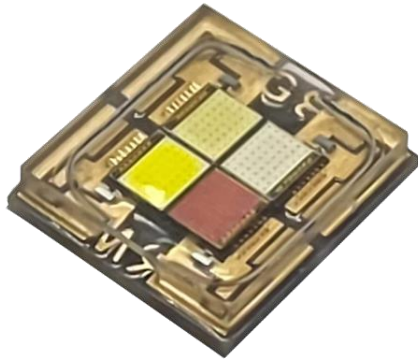
- Middle Power Four Color Integrated Lighting Source;
- Glass Package Using AlN Ceramic Substrate for Low Heat Resistance;
- Natural Chip Emitting Colors, High Color Purity and Consistency;
- Other Power, LES, Color Combination, CCT and Ra Available on Request;
- Applicable to Directional Projection of Dye Lighting.



【 Data in table, photos & diagrams for reference only】

S1301

Special Stage and Landscape Lighting 特种舞台景观照明



Main Parameters	Typical Values
Voltage (V)	R 2 G 3 B 3 PC-L 3
Current (mA)	R 3575 G 3575 B 3575 PC-L 2775
Max. Power (W) ^{Note}	46.8 in total
LES (mm)	3.0x3.3
CCT (K) / Ra	PC-L / 4150-4400
Color / Dominant Wavelength (nm)	R / 617.5-627.5 G / 520-530 B / 450-460
Matched Cu Board	H017-1818 H046-3737

Note: The maximum power only for reference and related to the heat dissipation power of the radiator, the thermal resistance between the radiator and the light source and the ambient temperature.

Main Features

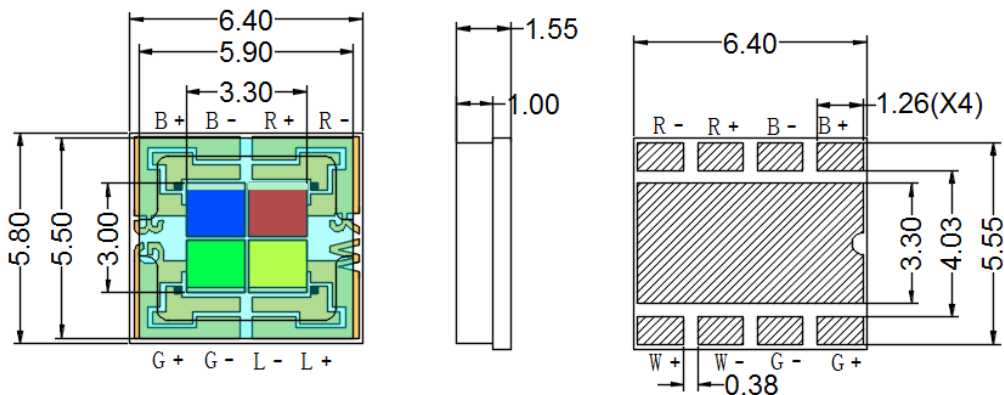
Middle Power Four Color Integrated Lighting Source;

Glass Package Using AlN Ceramic Substrate for Low Heat Resistance;

Natural Chip Emitting Colors, High Color Purity and Consistency;

Other Power, LES, Color Combination, CCT and Ra Available on Request;

Applicable to Directional Projection of Dye Lighting.



【 Data in table, photos & diagrams for reference only】

S1209b

Special Stage and Landscape Lighting 特种舞台景观照明

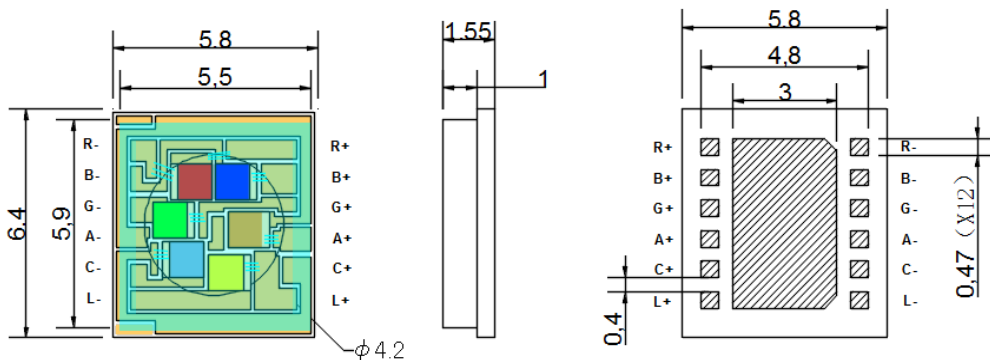


Main Parameters	Typical Values
Voltage (V)	R 2 G 3 B 3 C 3 PC-A 3 PC-L 3
Current (mA)	R 1850 G 1850 B 1850 C 1850 PC-A 1100 PC-L 1100
Max. Power (W) ^{Note}	34.6 in total
LES (mm)	4.2
CCT (K) / Ra	PC-A / 1600-1800 PC-L / 4150-4400
Color / Dominant Wavelength (nm)	R / 617.5-627.5 G / 520-530 B / 450-460 C / 485-495
Matched Cu Board	

Note: The maximum power only for reference and related to the heat dissipation power of the radiator, the thermal resistance between the radiator and the light source and the ambient temperature.

Main Features

- Low Power Six Color Integrated Lighting Source;
- Glass Package Using AlN Ceramic Substrate for Low Heat Resistance;
- Natural Chip Emitting Colors, High Color Purity and Consistency;
- Other Power, LES, Color Combination, CCT and Ra Available on Request;
- Applicable to Directional Projection of Dye Lighting.



【 Data in table, photos & diagrams for reference only】