

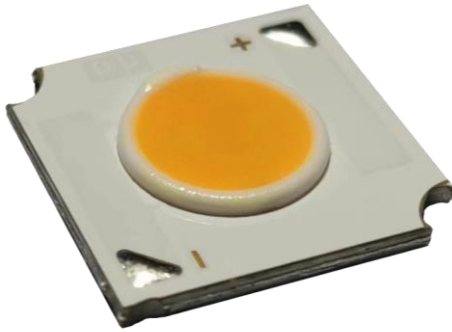
Flip-Chips • COB Package 倒装芯片 • COB封装 Single Color COBs • Sunlike 单色光源 • 全光谱

Main Applications:
主要应用领域:

- ✓ long-distance searching and spot lighting for stage, studio, photography, landmarks, architectural, facade illumination, military and police search lights etc.
长距离探照与聚光照明, 适用于舞台, 演艺, 摄影, 影视, 地标, 建筑, 景观, 军警探照等
- ✓ directional projection and beam lighting with narrow angle for projection, light beam, dyeing, pattern, audience, business, hotel, museum, etc.
小角度方向性投射类照明, 适用于投射, 光束, 染色, 图案, 观众, 商业, 酒店, 博物馆等
- ✓ intelligent color-mixing lighting
智能混色照明
- ✓ over broader CCT range with higher Ra for lighting of high-end business, office, school, stage, studio, photography etc.
宽色温范围高显指照明, 适用于高端商业、办公、学校、舞台、影视、摄影等

C1352/C1351

Sunlike Lighting with High Ra
高显色全光谱照明

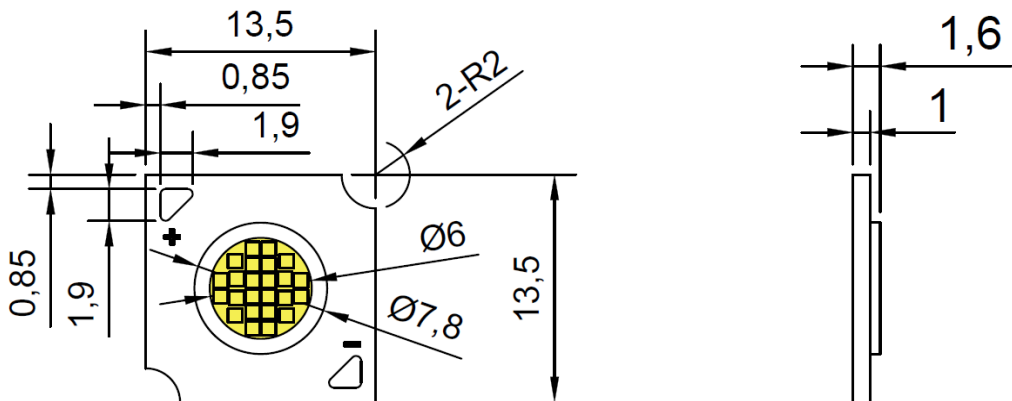


Main Parameters	Typical Values
Voltage (V)	36
Current (mA)	350 in total
Max. Power (W) <small>Note</small>	21.8
LES (mm)	6
CCT (K) / Ra	C1352 2870-3220 / >97 C1351 6250-6745 / >97 All the $R_i > 90$
Color / Dominant Wavelength (nm)	N/A
Matched Cu Board	N/A

Note: The maximum power only for reference and related to the heat dissipation power of the radiator, the thermal resistance between the radiator and the light source and the ambient temperature.

Main Features

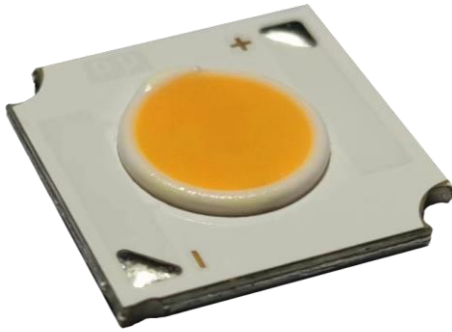
- Low Power Single Color COB Sunlike;
- COB Package Using Thin Insulating or Superconducting Al Substrates;
- Flip Chips with No Gold Wires for High Integration & Good Reliability;
- Other Power, LES, Color Combination, CCT and Ra Available on Request;
- Applicable to Ultra-High Ra Lighting.



【 Data in table, photos & diagrams for reference only】

C1350/C1349

Sunlike Lighting with High Ra
高显色全光谱照明

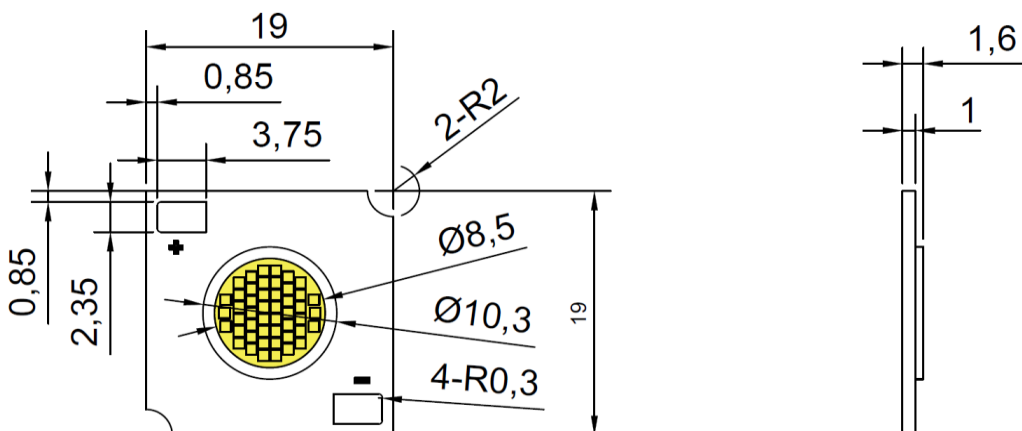


Main Parameters	Typical Values
Voltage (V)	36
Current (mA)	700 in total
Max. Power (W) ^{Note}	36.3
LES (mm)	9
CCT (K) / Ra	C1350 2870-3220 / >97 C1349 6250-6745 / >97 All the R _i > 90
Color / Dominant Wavelength (nm)	N/A
Matched Cu Board	N/A

Note: The maximum power only for reference and related to the heat dissipation power of the radiator, the thermal resistance between the radiator and the light source and the ambient temperature.

Main Features

- Low Power Single Color COB Sunlike;
- COB Package Using Thin Insulating or Superconducting Al Substrates;
- Flip Chips with No Gold Wires for High Integration & Good Reliability;
- Other Power, LES, Color Combination, CCT and Ra Available on Request;
- Applicable to Ultra-High Ra Lighting.



【 Data in table, photos & diagrams for reference only】

C1356/C1355

Sunlike Lighting with High Ra
高显色全光谱照明

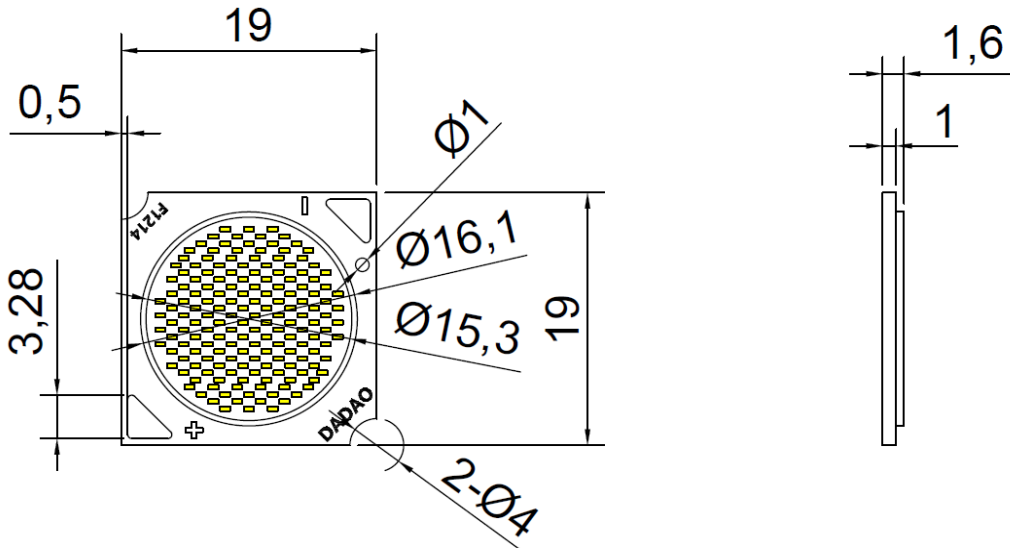


Main Parameters	Typical Values
Voltage (V)	36
Current (mA)	1400 in total
Max. Power (W) <small>Note</small>	74.9
LES (mm)	15
CCT (K) / Ra	C1356 2870-3220 / >97 C1355 5310-6020 / >97 All the $R_i > 90$
Color / Dominant Wavelength (nm)	N/A
Matched Cu Board	N/A

Note: The maximum power only for reference and related to the heat dissipation power of the radiator, the thermal resistance between the radiator and the light source and the ambient temperature.

Main Features

- Medium Power Single Color COB Sunlike;
- COB Package Using Thin Insulating or Superconducting Al Substrates;
- Flip Chips with No Gold Wires for High Integration & Good Reliability;
- Other Power, LES, Color Combination, CCT and Ra Available on Request;
- Applicable to Ultra-High Ra Lighting.



【 Data in table, photos & diagrams for reference only】

C1354/C1353

Sunlike Lighting with High Ra
高显色全光谱照明

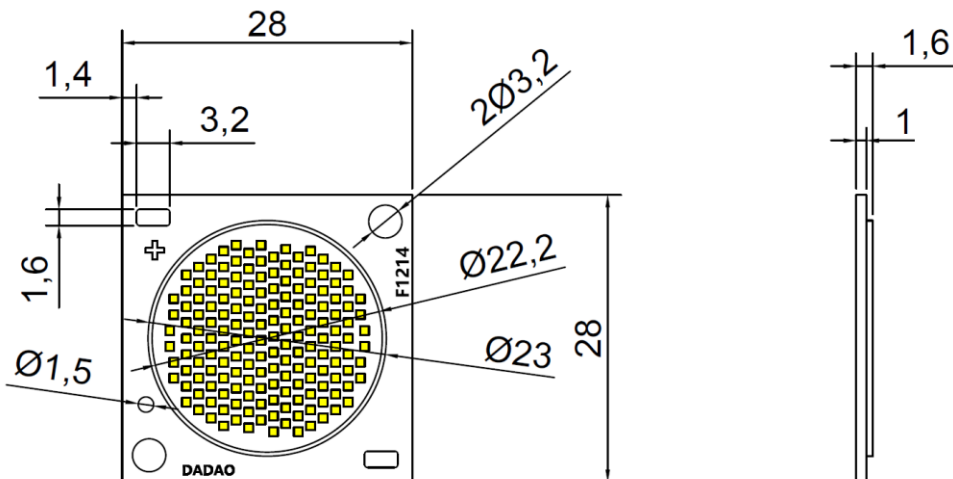


Main Parameters	Typical Values
Voltage (V)	36
Current (mA)	2900 in total
Max. Power (W) <small>Note</small>	135
LES (mm)	22
CCT (K) / Ra	C1354 2870-3220 / >97 C1353 5310-6020 / >97 All the $R_i > 90$
Color / Dominant Wavelength (nm)	N/A
Matched Cu Board	N/A

Note: The maximum power only for reference and related to the heat dissipation power of the radiator, the thermal resistance between the radiator and the light source and the ambient temperature.

Main Features

- Medium Power Single Color COB Sunlike;
- COB Package Using Thin Insulating or Superconducting Al Substrates;
- Flip Chips with No Gold Wires for High Integration & Good Reliability;
- Other Power, LES, Color Combination, CCT and Ra Available on Request;
- Applicable to Ultra-High Ra Lighting.



【 Data in table, photos & diagrams for reference only】